

# Turbo II Vertical SATA DiskOnModule DV82(01) Series



Table of Contents

**1. Product Description ..... 1**

    1.1 Product Overview..... 1

    1.2 Product Features ..... 1

    1.3 System Requirement ..... 1

**2. Specification ..... 2**

    2.1 Physical Specifications..... 2

    2.2 Electronic Specifications ..... 4

    2.3 Performance Specifications ..... 5

    2.4 Environmental Specifications ..... 5

    2.5 Reliability Specifications..... 6

    2.6 Compliance Specifications ..... 6

**3. Function ..... 7**

    3.1 Pin Signal Assignment ..... 7

    3.2 DiskOnModule Capacity and Cylinder, Head, Sector ..... 7

    3.3 Support ATA Commands ..... 7

    3.4 Firmware Upgrade ..... 25

    3.5 Switch Setting (Option) ..... 25

**4. Installation..... 26**

    4.1 Installation ..... 26

    4.2 Partition ..... 26

    4.3 Format..... 27

**5. Troubleshooting ..... 28**

    5.1 BIOS can not identify SATA DiskOnModule..... 28

    5.2 SATA DOM can not boot the system..... 28

**6. Ordering Information..... 29**

**7. Contact Information..... 30**

List of Figures

Figure 1: Vertical SATA DiskOnModule Overlook Diagram.....2

Figure 2: 7-Pin Vertical SATA DOM Dimensions .....3

Figure 3: SATA DiskOnModule Block Diagram .....4

Figure 4: SATA Signal Connector .....7

List of Table

Table 1: 7-Pin Vertical SATA DiskOnModule Physical Dimension.....	3
Table 2: Serial ATA connector pin definitions.....	7
Table 3: DiskOnModule Capacity and Cylinder, Head, Sector .....	7
Table 4: ATA Command Set.....	7
Table 5: Diagnostic Codes.....	9
Table 6: Identify Device Information .....	9
Table 7: Feature Supported .....	20
Table 8: Transfer mode values .....	21
Table 9: Advanced power management levels .....	22
Table 10: Vertical SATA DiskOnModule Ordering Information .....	29

Revision	Date	Major Changes
A.0	2009/5/8	1. New Create

Copyright Information

**Copyright © 2009, CoreSolid Storage Corporation. All rights reserved.**

*The information and specifications provided in this document should be used for comparative analysis and reference purposes. The content of this document is subject to change without prior notice.*

# SATA DiskOnModule

---

## 1. Product Description

### 1.1 Product Overview

CoreSolid Storage's SATA DiskOnModule (DOM) is the storage device based on NAND flash memory technology. This product complies Serial ATA standard interface and is suitable for data storage media and code storage device for embedded system and boot disk. By using **SATA DiskOnModule**, it is possible to operate good performance for the systems, which have SATA interface.

With small form factor, the applicable appliance can add or install SATA storage device on its Mother Board or Complete set.

#### Application Fields:

- Industrial PC and Thin Client
- Game and Telecommunication Machine
- Ticketing, Examining, testing machine
- Army, Health and Production Equipment and Machine
- Other machines and Equipments with Serial ATA 1.5Gb/s Interface.

### 1.2 Product Features

- DV82(01): Left-hand side Turbo II Vertical SATA DiskOnModule
- Small form factor with Serial ATA Standard Interface connector
- Memory Capacities: 1GB ~ 16GB
- High performance and reliability
- Noiseless and stable installation to system
- Operating voltage only 5V operation
- Standard Serial ATA Interface
- Operating as Boot Disk
- Code Storage Device for Embedded Operating System

### 1.3 System Requirement

- The Host system which is connected to SATA DiskOnModule should meet system requirements at minimum;

#### 1.3.1 Power Requirement

- Voltage: DC +5V  $\pm$  5%

#### 1.3.2 Operating System

- Windows 2000/XP/Vista
- Linux
- DOS
- WinXP Embedded
- WinCE

#### 1.3.3 Interface

- Standard SATA 1.5Gb/s Interface

## 2. Specification

### 2.1 Physical Specifications

#### 2.1.1 Overlook

The overlook views of Vertical SATA DiskOnModule DV82(01) are illustrated in Figure 1. DV82(01) is a left hand side 7-pin Vertical SATA DiskOnModule.

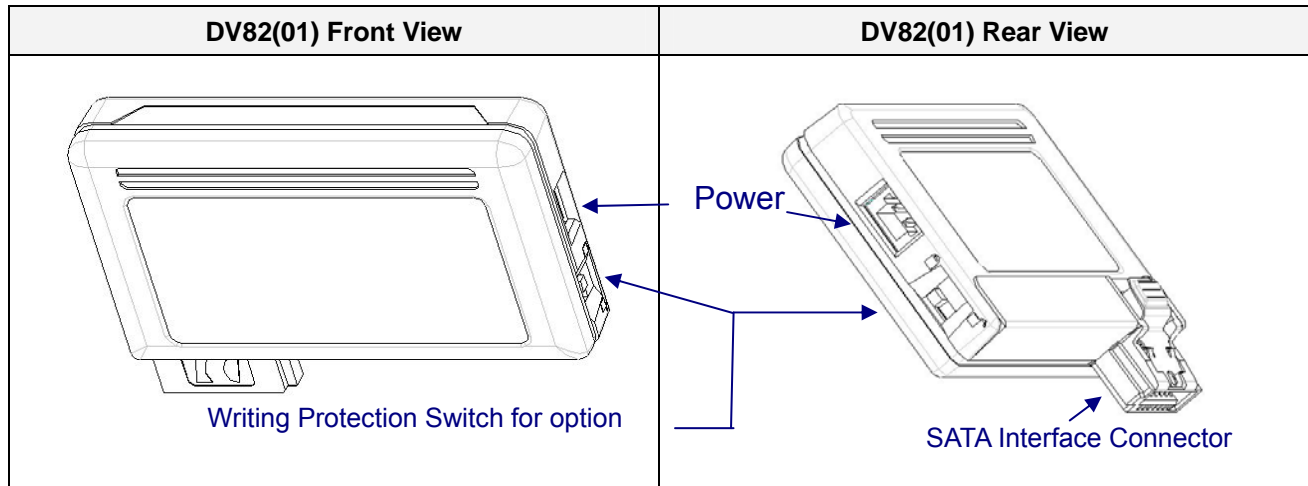


Figure 1: Vertical SATA DiskOnModule Overlook Diagram

## 2.1.2 Dimension

The Dimensions of Vertical SATA DiskOnModule are illustrated in Figure 2 and described in Table 1.

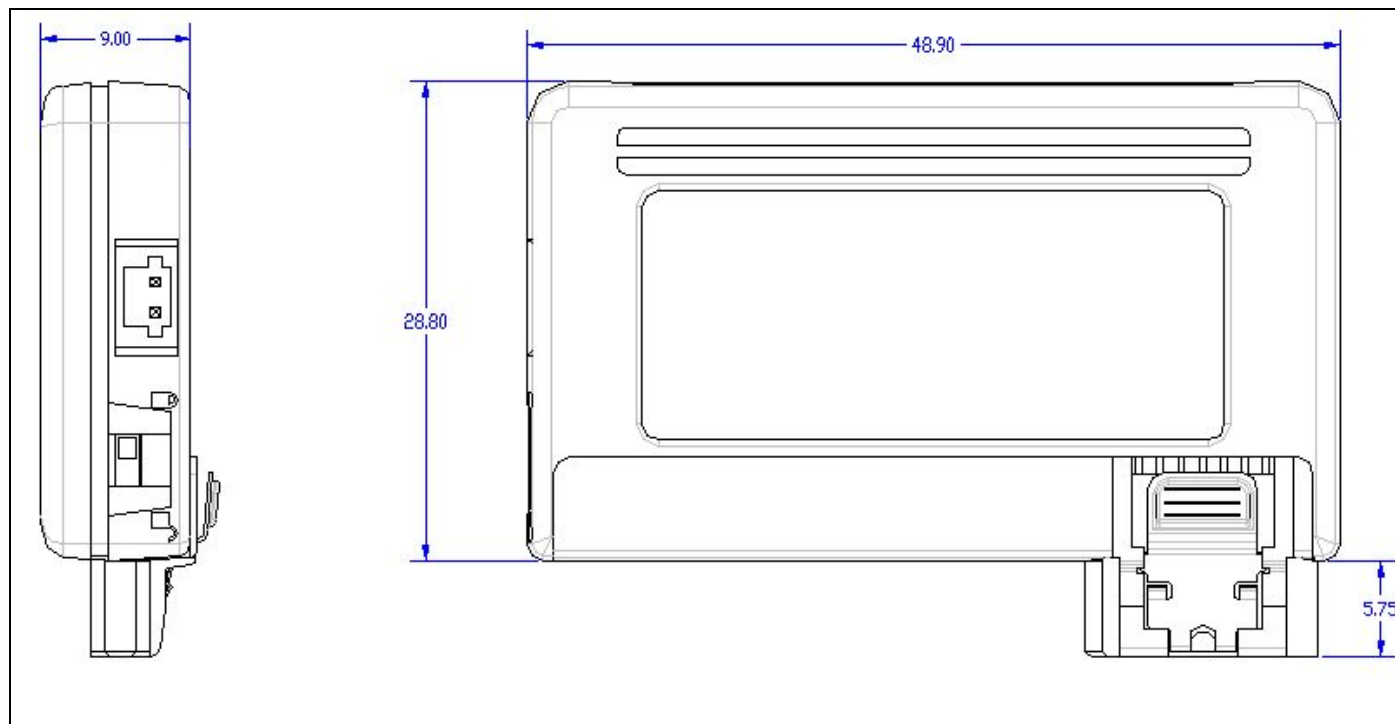


Figure 2: 7-Pin Vertical SATA DOM Dimensions

Table 1: 7-Pin Vertical SATA DiskOnModule Physical Dimension

<b>Length</b>	48.9 ± 0.15 mm
<b>Width</b>	28.8 ± 0.15 mm
<b>Thickness (PCB)</b>	9.0 ± 0.15mm
<b>Height (Connector)</b>	34.55 ± 0.15mm

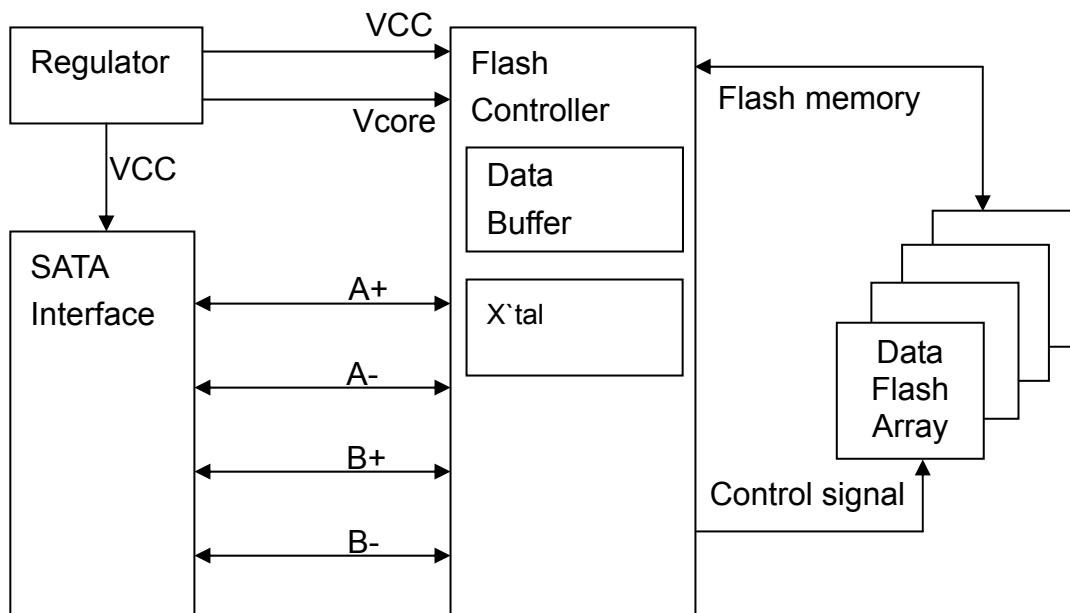
## 2.1.3 Weight

- Weight: < 15g

## 2.2 Electronic Specifications

### 2.2.1 Product Definition

SATA DiskOnModule is designed to operate and work as Data or Code Storage device by NAND Flash Memory and its Controller through Standard Serial ATA 1.5Gb/s Interface to Host Systems.



**Figure 3: SATA DiskOnModule Block Diagram**

### 2.2.2 Operating Voltage

- Voltage DC +5V  $\pm$  5%

### 2.2.3 Capacity and Block Size information

- Capacity: 1GB ~ 16GB
- Sector Size: 512Bytes

### 2.2.4 Power Consumption

- DC Information
  - Read: <160mA
  - Write: <220mA
  - Stand-by: <140mA

※ Testing Platform;

Mother-Board: ASUS P5GC-FX, CPU: Core2Dual 1.60G, Chipset: Intel 945G+ICH7, Main Memory: DDR2-400 2GB  
 Operating System: WinXP, Test Program: DOMSV31

## 2.3 Performance Specifications

### 2.3.1 Modes

- Serial ATA 1.5Gb/s
- PIO mode 4
- MW DMA 2
- Ultra DMA 4

### 2.3.2 Access Time

- SATA DiskOnModule's maximum access time is about 0.3msec.

#### ※ Testing Platform

Testing S/W: HD Tune 2.53, Testing OS: WinXP

Mother-Board: ASUS P5GC-FX, CPU: Core2Dual 1.60G, Chipset: Intel 945G+ICH7, Main Memory: DDR2-400 2GB

Testing base: Time required Between Host to Device

### 2.3.3 Seek Time

- SATA DiskOnModule has no seek time by being based on Flash Memory technology.

### 2.3.4 Mount Time

The Mount Time for initializing and mounting SATA DiskOnModule is different by depending on Operating System and testing Platform.

### 2.3.5 Data Transfer Time

- Sequential Read: up to 20 MB/sec, or 40MB/sec for Dual mode
- Sequential Write: up to 10 MB/sec, or 30MB/sec for Dual mode

#### ※ Test Platform: Average Value based on Serial ATA 1.5Gb/s interface

Mother-Board: ASUS P5GC-FX, CPU: Core2Dual 1.60G, Chipset: Intel 945G+ICH7, Main Memory: DDR2-400 2GB

Testing Software: HD Bench 3.4 Testing OS: Windows XP

**Notice:** The value is various bases on the testing platform.

### 2.3.6 Data Retention

- 10years without requiring power support

**Notice:** The Value of Data Retention is various bases on the type and manufacturer of Flash Memory

### 2.3.7 Wear-leveling

- Static Wear-Leveling for same level of Write/Erase Cycle

### 2.3.8 Bad Block Management

- The Bad Blocks of Flash Memory will be replaced into new ones by controller.

### 2.3.9 Read/Write Cycle

- Read/ Write: 2,000,000 times

## 2.4 Environmental Specifications

### 2.4.1 Temperature

- Operating Temperature: 0°C to +70°C
- Storage Temperature: -40°C to +85°C

### 2.4.2 Humidity

- Operating Humidity: 10% to 95%
- Non-Operating Humidity: 10% to 95% (with no condensation relative humidity)

### 2.4.3 Bare Drop test

- Bare Drop Testing (Free Fell) at 75cm: Pass  
Front/Rear/Right/Left/Top/Bottom Side

## SATA DiskOnModule

---

### 2.4.4 Vibration

- Sine Vibration Test (Non-Operation): 15G  
Frequency: 10 ~2000Hz, Dwell Time (min): 30min per Axis (X, Y, Z)
- Random Vibration Test (Operation) : 6Grms  
Frequency: 10 ~ 500Hz, Dwell time (min): 30min per Axis (X, Y, Z)

## 2.5 Reliability Specifications

### 2.5.1 ECC/EDC (Error Correction Code/Error Detection Code)

- 4 bits correction per 512bytes.

### 2.5.2 Read and Write/Erase Cycle

- Read: No Limitation
- Write/Erase: 2,000,000 times

**Notice:** The Value of Write/Erase Cycle is various bases on the type and manufacturer of NAND Flash Memory.

### 2.5.3 MTBF (Mean Time Between Failure)

- 2,000,000 hours

## 2.6 Compliance Specifications

- CE
- FCC

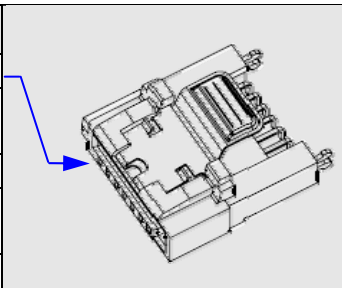
### 3. Function

#### 3.1 Pin Signal Assignment

The signals assigned for Serial ATA applications are described in Table 2

**Table 2: Serial ATA connector pin definitions**

Segment	Pin No	Function	Definition
Signal	S1	Gnd	Differential signal pair A from Phy
	S2	A+	
	S3	A-	
	S4	Gnd	Differential signal pair B from Phy
	S5	B-	
	S6	B+	
	S7	Gnd	



**Notice:** All pins are a 1.27 mm (0.050") pitch.

**Figure 4: SATA Signal Connector**

#### 3.2 DiskOnModule Capacity and Cylinder, Head, Sector

The table 3 show various capacities available for DV82 series, if your platform does not support auto-detection function or DV82 series is not identified, we advice can following below Cylinders, Heads, Sectors number to setting your platform.

**Table 3: DiskOnModule Capacity and Cylinder, Head, Sector**

Unformatted Disk Capacity	No. of Cylinders	No. of Heads	No. of Sectors	Disk Total Sector
512MB	999	16	63	1,006,992
1GB	1,999	16	63	2,014,992
2GB	3,998	16	63	4,029,984
4GB	7,931	16	63	7,994,448
8GB	15,863	16	63	15,989,904
The following capacity are in LBA mode				
16GB	16,383	16	63	31,980,816

#### 3.3 Support ATA Commands

##### ATA Command Set

- ATA Command Set summarizes the ATA command set with the paragraphs that follow describing the individual commands and the task file for each.

**Table 4: ATA Command Set**

Class	COMMAND	Code	FR	SC	SN	CY	DH	LBA
1	Check Power Mode	E5h or 98h	-	-	-	-	D	-
1	Execute Drive Diagnostic	90h	-	-	-	-	D	-
1	Identify Device	ECh	-	-	-	-	D	-
1	Idle	E3h or 97h	-	Y	-	-	D	-
1	Idle Immediate	E1h or 95h	-	-	-	-	D	-
1	Initialize Drive Parameters	91h	-	Y	-	-	Y	-
1	Read DMA	C8h	-	Y	Y	Y	Y	Y
1	Read Multiple	C4h	-	Y	Y	Y	Y	Y
1	Read Sector(s)	20h or 21h	-	Y	Y	Y	Y	Y
1	Read Verify Sector(s)	40h or 41h	-	Y	Y	Y	Y	Y
1	Recalibrate	1Xh	-	-	-	-	D	-

## SATA DiskOnModule

1	Seek	7Xh	-	-	Y	Y	Y	Y
1	Set Features	EFh	Y	-	-	-	D	-
1	Set Multiple Mode	C6h	-	Y	-	-	D	-
1	Set Sleep Mode	E6h or 99h	-	-	-	-	D	-
1	Standby	E2h or 96h	-	-	-	-	D	-
1	Standby Immediate	E0h or 94h	-	-	-	-	D	-
2	Write DMA	CAh	-	Y	Y	Y	Y	Y
3	Write Multiple	C5h	-	Y	Y	Y	Y	Y
2	Write Sector(s)	30h or 31h	-	Y	Y	Y	Y	Y

### Definitions:

FR = Features Register

SC = Sector Count Register

SN = Sector Number Register

CY = Cylinder Registers

DH = Card/Drive/Head Register

LBA = Logical Block Address Mode Supported (see command descriptions for use).

Y - The register contains a valid parameter for this command. For the Drive/Head Register Y means both the device and head parameters are used

D - Only the device parameter is valid and not the head parameter;

C - The register contains command specific data (see command descriptions for use).

### (1) Check Power Mode - 98h or E5h

Bit ->	7	6	5	4	3	2	1	0
Command (7)	98h or E5h							
C/D/H (6)	X			Drive	X			
Cyl High (5)					X			
Cyl Low (4)					X			
Sec Num (3)					X			
Sec Cnt (2)					X			
Feature (1)					X			

#### Check Power Mode

This command checks the power mode.

If the device is in, going to, or recovering from the sleep mode, the device sets BSY, sets the Sector Count Register to 00h, clears BSY and generates an interrupt.

If the device is in idle mode, the device sets BSY, sets the Sector Count Register to FFh, clears BSY and generates an interrupt.

### (2) Execute Drive Diagnostic - 90h

Bit ->	7	6	5	4	3	2	1	0
Command (7)	90h							
C/D/H (6)	X			Drive	X			
Cyl High (5)					X			
Cyl Low (4)					X			
Sec Num (3)					X			
Sec Cnt (2)					X			
Feature (1)					X			

#### Execute Drive Diagnostic

This command performs the internal diagnostic tests implemented by the device.

When the diagnostic command is issued in a PCMCIA configuration mode, this command runs only on the device that is addressed by the Drive/Head register.

This is because PCMCIA card interface does not allow for direct inter-drive communication (such as the ATA PDIAG and DASP signals). When the diagnostic command is issued in the True IDE Mode, the Drive bit is ignored and the diagnostic command is executed by both the Master and the Slave with the Master responding with status for both devices.

The Diagnostic codes shown in Table 5: Diagnostic Codes are returned in the Error Register at the end of the command.

**Table 5: Diagnostic Codes**

Code	Error Type
01h	No Error Detected
02h	Formatter Device Error
03h	Sector Buffer Error
04h	ECC Circuitry Error
05h	Controlling Microprocessor Error
8Xh	Slave Error in True IDE Mode

### (3) Identify Device – ECh

Bit ->	7	6	5	4	3	2	1	0
Command (7)	ECh							
C/D/H (6)	X	X	X	Drive			X	
Cyl High (5)					X			
Cyl Low (4)					X			
Sec Num (3)					X			
Sec Cnt (2)					X			
Feature (1)					X			

### Identify Device

The Identify Device command enables the host to receive parameter information from the device. This command has the same protocol as the Read Sector(s) command. The parameter words in the buffer have the arrangement and meanings defined in Table 6. All reserved bits or words are zero. Hosts should not depend on Obsolete words in Identify Device containing 0. Table 6 specifies each field in the data returned by the Identify Device Command. In Table 6, X indicates a numeric nibble value specific to the card and aaaa indicates an ASCII string specific to the particular drive.

**Table 6: Identify Device Information**

Word Address	Default Value	Total Bytes	Data Field Type Information
0	848Ah	2	General configuration - signature for the device
	0XXX	2	General configuration – Bit Significant with ATA-4 definitions.
1	XXXXh	2	Default number of cylinders
2	0000h	2	Reserved
3	00XXh	2	Default number of heads
4	0000h	2	Obsolete
5	0000h	2	Obsolete
6	XXXXh	2	Default number of sectors per track
7-8	XXXXh	4	Number of sectors per card (Word 7 = MSW, Word 8 = LSW)
9	XXXXh	2	Obsolete
10-19	aaaa	20	Serial number in ASCII (Right Justified)
20	0000h	2	Obsolete
21	0000h	2	Obsolete
22	0004h	2	Number of ECC bytes passed on Read/Write Long Commands
23-26	aaaa	8	Firmware revision in ASCII. Big Endian Byte Order in Word
27-46	aaaa	40	Model number in ASCII (Left Justified) Big Endian Byte Order in Word
47	XXXXh	2	Maximum number of sectors on Read/Write Multiple command
48	0000h	2	Reserved
49	XX00h	2	Capabilities
50	0000h	2	Reserved
51	0X00h	2	PIO data transfer cycle timing mode

Word Address	Default Value	Total Bytes	Data Field Type Information
52	0000h	2	Obsolete
53	000Xh	2	Field Validity
54	XXXXh	2	Current numbers of cylinders
55	XXXXh	2	Current numbers of heads
56	XXXXh	2	Current sectors per track
57-58	XXXXh	4	Current capacity in sectors (LBAs)(Word 57 = LSW, Word 58 = MSW)
59	01XXh	2	Multiple sector setting
60-61	XXXXh	4	Total number of sectors addressable in LBA Mode
62	0000h	2	Reserved
63	0X0Xh	2	Multiword DMA transfer. In PCMCIA mode this value shall be 0h
64	00XXh	2	Advanced PIO modes supported
65	XXXXh	2	Minimum Multiword DMA transfer cycle time per word. In PCMCIA mode this value shall be 0h
66	XXXXh	2	Recommended Multiword DMA transfer cycle time. In PCMCIA mode this value shall be 0h
67	XXXXh	2	Minimum PIO transfer cycle time without flow control
68	XXXXh	2	Minimum PIO transfer cycle time with IORDY flow control
69-79	0000h	20	Reserved
80-81	0000h	4	Reserved – CF cards do not return an ATA version
82-84	XXXXh	6	Features/command sets supported
85-87	XXXXh	6	Features/command sets enabled
88	XXXXh	2	Ultra DMA Mode Supported and Selected
89	XXXXh	2	Time required for Security erase unit completion
90	XXXXh	2	Time required for Enhanced security erase unit completion
91	XXXXh	2	Current Advanced power management value
92-127	0000h	72	Reserved
128	XXXXh	2	Security status
129-159	0000h	64	Vendor unique bytes
160	XXXXh	2	Power requirement description
161	0000h	2	Reserved for assignment by the CFA
162	0000h	2	Key management schemes supported
163	XXXXh	2	CF Advanced True IDE Timing Mode Capability and Setting
164	XXXXh	2	CF Advanced PCMCIA I/O and Memory Timing Mode Capability
165-175	0000h	22	Reserved for assignment by the CFA
176-255	0000h	140	Reserved

### Word 0: General Configuration

This field indicates the general characteristics of the device. When Word 0 of the Identify drive information is 848Ah then the device is a device and complies with the CFA specification and CFA command set. It is recommended that PCMCIA modes of operation report only the 848Ah value as they are always intended as removable devices.

Bits 15-0: CF Standard Configuration Value

Word 0 is 848Ah. This is the recommended value of Word 0.

Some operating systems require Bit 6 of Word 0 to be set to 1 (Non-removable device) to use the card as the root storage device. The Card must be the root storage device when a host completely replaces conventional disk storage with a device in True IDE mode. To support this requirement and provide capability for any future removable media Cards, alternate handling of Word 0 is permitted.

Bits 15-0: CF Preferred Alternate Configuration Values 044Ah: This is the alternate value of Word 0 turns on ATA device and turns off Removable Media and Removable Device while preserving all Retired bits in the word. 0040h: This is the alternate value of Word 0 turns on ATA device and turns off Removable Media and Removable Device while zeroing all Retired bits in the word

Bit 15-12: Configuration Flag If bits 15:12 are set to 8h then Word 0 shall be 848Ah. If bits 15:12 are set to 0h then Bits 11:0 are set using the definitions below and the Card is required to support for the CFA command set and report that in bit 2 of Word 83. Bit 15:12 values other than 8h and 0h are prohibited.

Bits 11-8: Retired These bits have retired ATA bit definitions. It is recommended that the value of these bits be either the preferred value of 0h or the value of 4h that preserves the corresponding bits from the 848Ah CF signature value.

Bit 7: Removable Media Device If Bit 7 is set to 1, the Card contains media that can be removed during Card operation. If Bit 7 is set to 0, the Card contains nonremovable media.

Bit 6: Not Removable Controller and/or Device

**Notice:** This bit will be considered for obsolescence in a future revision of this standard.

If Bit 6 is set to 1, the Card is intended to be nonremovable during operation.

If Bit 6 is set to 0, the Card is intended to be removable during operation.

Bits 5-0: Retired/Reserved

**Notice:** Bit 2 will be considered for definition in a future revision of the standard and shall be 0 at this time.

Bits 5-1 have retired ATA bit definitions.

Bit 2 shall be 0.

Bit 0 is reserved and shall be 0.

It is recommended that the value of bits 5-0 be either the preferred value of 00h or the value of 0Ah that preserves the corresponding bits from the 848Ah CF signature value.

## Word 1: Default Number of Cylinders

This field contains the number of translated cylinders in the default translation mode. This value will be the same as the number of cylinders.

## Word 3: Default Number of Heads

This field contains the number of translated heads in the default translation mode.

## Word 6: Default Number of Sectors per Track

This field contains the number of sectors per track in the default translation mode.

## Words 7-8: Number of Sectors per Card

This field contains the number of sectors per device. This double word value is also the first invalid address in LBA translation mode.

## Words 10-19: Serial Number

This field contains the serial number for this device and is right justified and padded with spaces (20h).

## Word 22: ECC Count

This field defines the number of ECC bytes used on each sector in the Read and Write Long commands. This value shall be set to 0004h.

## Words 23-26: Firmware Revision

This field contains the revision of the firmware for this product.

## Words 27-46: Model Number

This field contains the model number for this product and is left justified and padded with spaces (20h).

## Word 47: Read/Write Multiple Sector Count

Bits 15-8 shall be the recommended value of 80h or the permitted value of 00h.

Bits 7-0 of this word define the maximum number of sectors per block that the device supports for Read/Write Multiple commands.

## Word 49: Capabilities

Bit 13: Standby Timer

If bit 13 is set to 1 then the Standby timer is supported as defined by the IDLE command

If bit 13 is set to 0 then the Standby timer operation is defined by the vendor.

Bit 11: IORDY Supported

If bit 11 is set to 1 then this device supports IORDY operation.

If bit 11 is set to 0 then this device may support IORDY operation.

Bit 10: IORDY may be disabled

Bit 10 shall be set to 0, indicating that IORDY may not be disabled.

Bit 9: LBA supported

Bit 9 shall be set to 1, indicating that this device supports LBA mode addressing. Devices shall support LBA addressing.

Bit 8: DMA Supported

If bit 8 is set to 1 then Read DMA and Write DMA commands are supported.

Bit 8 shall be set to 0. Read/Write DMA commands are not currently permitted on CF cards.

## **Word 51: PIO Data Transfer Cycle Timing Mode**

The PIO transfer timing for each device falls into modes that have unique parametric timing specifications. The value returned in Bits 15-8 shall be 00h for mode 0, 01h for mode 1, or 02h for mode 2. Values 03h through FFh are reserved.

## **Word 53: Translation Parameters Valid**

Bit 0 shall be set to 1 indicating that words 54 to 58 are valid and reflect the current number of cylinders, heads and sectors. If bit 1 of word 53 is set to 1, the values in words 64 through 70 are valid. If this bit is cleared to 0, the values reported in words 64-70 are not valid. Any device that supports PIO mode 3 or above shall set bit 1 of word 53 to one and support the fields contained in words 64 through 70.

## **Words 54-56: Current Number of Cylinders, Heads, Sectors/Track**

These fields contain the current number of user addressable Cylinders, Heads, and Sectors/Track in the current translation mode.

## **Words 57-58: Current Capacity**

This field contains the product of the current cylinders times heads times sectors.

## **Word 59: Multiple Sector Setting**

Bits 15-9 are reserved and shall be set to 0.

Bit 8 shall be set to 1 indicating that the Multiple Sector Setting is valid.

Bits 7-0 are the current setting for the number of sectors that shall be transferred per interrupt on Read/Write Multiple commands.

## **Words 60-61: Total Sectors Addressable in LBA Mode**

This field contains the total number of user addressable sectors for the device in LBA mode only.

## **Word 63: Multiword DMA transfer**

Bits 15 through 8 of word 63 of the Identify Device parameter information is defined as the Multiword DMA mode selected field. If this field is supported, bit 1 of word 53 shall be set to one. This field is bit significant. Only one of bits may be set to one in this field by the device to indicate the multiword DMA mode which is currently selected.

Of these bits, bits 15 through 11 are reserved. Bit 8, if set to one, indicates that Multiword DMA mode 0 has been selected. Bit 9, if set to one, indicates that Multiword DMA mode 1 has been selected. Bit 10, if set to one, indicates that Multiword DMA mode 2 has been selected.

Selections of Multiword DMA modes 3 and above are specific to device are reported in word 163 as described in section 6.33: Word 163: CF Advanced True IDE Timing Mode Capabilities and Settings.

Bits 7 through 0 of word 63 of the Identify Device parameter information is defined as the Multiword DMA data transfer supported field. If this field is supported, bit 1 of word 53 shall be set to one. This field is bit significant. Any number of bits may be set to one in this field by the device to indicate the Multiword DMA modes it is capable of supporting.

Of these bits, bits 7 through 2 are reserved. Bit 0, if set to one, indicates that the device supports Multiword DMA mode 0. Bit 1, if set to one, indicates that the device supports Multiword DMA modes 1 and 0. Bit 2, if set to one, indicates that the device supports Multiword DMA modes 2, 1 and 0.

Support for Multiword DMA modes 3 and above are specific to device are reported in word 163 as described in section 6.33: Word 163: CF Advanced True IDE Timing Mode Capabilities and Settings.

## **Word 64: Advanced PIO transfer modes supported**

Bits 7 through 0 of word 64 of the Identify Device parameter information is defined as the advanced PIO data transfer supported field. If this field is supported, bit 1 of word 53 shall be set to one. This field is bit significant. Any number of bits may be set to one in this field by the device to indicate the advanced PIO modes it is capable of supporting.

Of these bits, bits 7 through 2 are reserved. Bit 0, if set to one, indicates that the device supports PIO mode 3.  
Bit 1, if set to one, indicates that the device supports PIO mode 4.  
Support for PIO modes 5 and above are specific to device are reported in word 163 as described in section 6.33: Word 163: CF Advanced True IDE Timing Mode Capabilities and Settings.

**Word 65: Minimum Multiword DMA transfer cycle time**

Word 65 of the parameter information of the Identify Device command is defined as the minimum Multiword DMA transfer cycle time. This field defines, in nanoseconds, the minimum cycle time that, if used by the host, the device guarantees data integrity during the transfer.

If this field is supported, bit 1 of word 53 shall be set to one. The value in word 65 shall not be less than the minimum cycle time for the fastest DMA mode supported by the device. This field shall be supported by all device supporting DMA modes 1 and above.

If bit 1 of word 53 is set to one, but this field is not supported, the Card shall return a value of zero in this field.

**Word 66: Recommended Multiword DMA transfer cycle time**

Word 66 of the parameter information of the Identify Device command is defined as the recommended Multiword DMA transfer cycle time. This field defines, in nanoseconds, the cycle time that, if used by the host, may optimize the data transfer from by reducing the probability that the device will need to negate the DMARQ signal during the transfer of a sector.

If this field is supported, bit 1 of word 53 shall be set to one. The value in word 66 shall not be less than the value in word 65. This field shall be supported by all device supporting DMA modes 1 and above.

If bit 1 of word 53 is set to one, but this field is not supported, the Card shall return a value of zero in this field.

**Word 67: Minimum PIO transfer cycle time without flow control**

Word 67 of the parameter information of the Identify Device command is defined as the minimum PIO transfer without flow control cycle time. This field defines, in nanoseconds, the minimum cycle time that, if used by the host, the device guarantees data integrity during the transfer without utilization of flow control.

If this field is supported, Bit 1 of word 53 shall be set to one.

Any device that supports PIO mode 3 or above shall support this field, and the value in word 67 shall not be less than the value reported in word 68.

If bit 1 of word 53 is set to one because a device supports a field in words 64-70 other than this field and the device does not support this field, the device shall return a value of zero in this field.

**Word 68: Minimum PIO transfer cycle time with IORDY**

Word 68 of the parameter information of the Identify Device command is defined as the minimum PIO transfer with IORDY flow control cycle time. This field defines, in nanoseconds, the minimum cycle time that the device supports while performing data transfers while utilizing IORDY flow control.

If this field is supported, Bit 1 of word 53 shall be set to one.

Any device that supports PIO mode 3 or above shall support this field, and the value in word 68 shall be the fastest defined PIO mode supported by the device.

If bit 1 of word 53 is set to one because a device supports a field in words 64-70 other than this field and the device does not support this field, the device shall return a value of zero in this field.

**Words 82-84: Features/command sets supported**

Words 82, 83, and 84 shall indicate features/command sets supported. The value 0000h or FFFFh was placed in each of these words by device prior to ATA-3 and shall be interpreted by the host as meaning that features/command sets supported are not indicated. Bits 1 through 13 of word 83 and bits 0 through 13 of word 84 are reserved. Bit 14 of word 83 and word 84 shall be set to one and bit 15 of word 83 and word 84 shall be cleared to zero to provide indication that the features/command sets supported words are valid.

The values in these words should not be depended on by host implementers.

Bit 0 of word 82 shall be set to zero; the SMART feature set is not supported.

If bit 1 of word 82 is set to one, the Security Mode feature set is supported.

Bit 2 of word 82 shall be set to zero; the Removable Media feature set is not supported.

Bit 3 of word 82 shall be set to one; the Power Management feature set is supported.

Bit 4 of word 82 shall be set to zero; the Packet Command feature set is not supported.

If bit 5 of word 82 is set to one, write cache is supported.

If bit 6 of word 82 is set to one, look-ahead is supported.

Bit 7 of word 82 shall be set to zero; release interrupt is not supported.

Bit 8 of word 82 shall be set to zero; Service interrupt is not supported.

Bit 9 of word 82 shall be set to zero; the Device Reset command is not supported.

Bit 10 of word 82 shall be set to zero; the Host Protected Area feature set is not supported.  
Bit 11 of word 82 is obsolete.  
Bit 12 of word 82 shall be set to one; the device supports the Write Buffer command.  
Bit 13 of word 82 shall be set to one; the device supports the Read Buffer command.  
Bit 14 of word 82 shall be set to one; the device supports the NOP command.  
Bit 15 of word 82 is obsolete.

Bit 0 of word 83 shall be set to zero; the device does not support the Download Microcode command.  
Bit 1 of word 83 shall be set to zero; the device does not support the Read DMA Queued and Write DMA Queued commands.  
Bit 2 of word 83 shall be set to one; the device supports the CFA feature set.  
If bit 3 of word 83 is set to one, the device supports the Advanced Power Management feature set.  
Bit 4 of word 83 shall be set to zero; the device does not support the Removable Media Status feature set.

#### Words 85-87: Features/command sets enabled

Words 85, 86, and 87 shall indicate features/command sets enabled. The value 0000h or FFFFh was placed in each of these words by device prior to ATA-4 and shall be interpreted by the host as meaning that features/command sets enabled are not indicated. Bits 1 through 15 of word 86 are reserved. Bits 0-13 of word 87 are reserved. Bit 14 of word 87 shall be set to one and bit 15 of word 87 shall be cleared to zero to provide indication that the features/command sets enabled words are valid. The values in these words should not be depended on by host implementers.

Bit 0 of word 85 shall be set to zero; the SMART feature set is not enabled. If bit 1 of word 85 is set to one, the Security Mode feature set has been enabled via the Security Set Password command.  
Bit 2 of word 85 shall be set to zero; the Removable Media feature set is not supported.  
Bit 3 of word 85 shall be set to one; the Power Management feature set is supported.  
Bit 4 of word 85 shall be set to zero; the Packet Command feature set is not enabled.  
If bit 5 of word 85 is set to one, write cache is enabled.  
If bit 6 of word 85 is set to one, look-ahead is enabled.  
Bit 7 of word 85 shall be set to zero; release interrupt is not enabled.  
Bit 8 of word 85 shall be set to zero; Service interrupt is not enabled.  
Bit 9 of word 85 shall be set to zero; the Device Reset command is not supported.  
Bit 10 of word 85 shall be set to zero; the Host Protected Area feature set is not supported.  
Bit 11 of word 85 is obsolete.  
Bit 12 of word 85 shall be set to one; the device supports the Write Buffer command.  
Bit 13 of word 85 shall be set to one; the device supports the Read Buffer command.  
Bit 14 of word 85 shall be set to one; the device supports the NOP command.  
Bit 15 of word 85 is obsolete.

Bit 0 of word 86 shall be set to zero; the device does not support the Download Microcode command.  
Bit 1 of word 86 shall be set to zero; the device does not support the Read DMA Queued and Write DMA Queued commands.  
If bit 2 of word 86 shall be set to one, the device supports the CFA feature set.  
If bit 3 of word 86 is set to one, the Advanced Power Management feature set has been enabled via the Set Features command.  
Bit 4 of word 86 shall be set to zero; the device does not support the Removable Media Status feature set.

#### Word 88: Ultra DMA Modes Supported and Selected

Word 88 identifies the Ultra DMA transfer modes supported by the device and indicates the mode that is currently selected. Only one DMA mode shall be selected at any given time. If an Ultra DMA mode is selected, then no Multiword DMA mode shall be selected. If a Multiword DMA mode is selected, then no Ultra DMA mode shall be selected. Support of this word is mandatory if Ultra DMA is supported.

Bits 15-13: Reserved

Bit 12: 1 = Ultra DMA mode 4 is selected 0 = Ultra DMA mode 4 is not selected.

Bit 11: 1 = Ultra DMA mode 3 is selected 0 = Ultra DMA mode 3 is not selected.

Bit 10: 1 = Ultra DMA mode 2 is selected 0 = Ultra DMA mode 2 is not selected.

Bit 9: 1 = Ultra DMA mode 1 is selected 0 = Ultra DMA mode 1 is not selected.

Bit 8: 1 = Ultra DMA mode 0 is selected 0 = Ultra DMA mode 0 is not selected.

Bits 7-5: Reserved.

Bit 4: 1 = Ultra DMA mode 4 and below are supported. Bits 0-3 shall be set to 1.

- Bit 3: 1 = Ultra DMA mode 3 and below are supported, Bits 0-2 shall be set to 1.  
 Bit 2: 1 = Ultra DMA mode 2 and below are supported. Bits 0-1 shall be set to 1.  
 Bit 1: 1 = Ultra DMA mode 1 and below are supported. Bit 0 shall be set to 1.  
 Bit 0: 1 = Ultra DMA mode 0 is supported

**Word 89: Time required for Security erase unit completion**

Word 89 specifies the time required for the Security Erase Unit command to complete. This command shall be supported on devices that support security.

Value	Time
0	Value not specified
1-254	(Value * 2) minutes
255	>508 minutes

**Word 90: Time required for Enhanced security erase unit completion**

Word 90 specifies the time required for the Enhanced Security Erase Unit command to complete. This command shall be supported on devices that support security.

Value	Time
0	Value not specified
1-254	(Value * 2) minutes
255	>508 minutes

**Word 91: Advanced power management level value**

Bits 7-0 of word 91 contain the current Advanced Power Management level setting.

**Word 128: Security Status**

- Bit 8: Security Level If set to 1, indicates that security mode is enabled and the security level is maximum. If set to 0 and security mode is enabled, indicates that the security level is high.
- Bit 5: Enhanced security erase unit feature supported If set to 1, indicates that the Enhanced security erase unit feature set is supported.
- Bit 4: Expire If set to 1, indicates that the security count has expired and Security Unlock and Security Erase Unit are command aborted until a power-on reset or hard reset.
- Bit 3: Freeze  
If set to 1, indicates that the security is Frozen.
- Bit 2: Lock  
If set to 1, indicates that the security is locked.
- Bit 1: Enable/Disable  
If set to 1, indicates that the security is enabled.  
If set to 0, indicates that the security is disabled.
- Bit 0: Capability If set to 1, indicates that device supports security mode feature set. If set to 0, indicates that device does not support security mode feature set.

**Word 160: Power Requirement Description**

This word is required for devices that support power mode 1.

- Bit 15: VLD If set to 1, indicates that this word contains a valid power requirement description. If set to 0, indicates that this word does not contain a power requirement description.
- Bit 14: RSV  
This bit is reserved and shall be 0.
- Bit 13: -XP If set to 1, indicates that the device does not have Power Level 1 commands. If set to 0, indicates that the device has Power Level 1 commands
- Bit 12: -XE  
If set to 1, indicates that Power Level 1 commands are disabled.  
If set to 0, indicates that Power Level 1 commands are enabled.
- Bit 0-11: Maximum current  
This field contains the device's maximum current in mA.

**Word 162: Key Management Schemes Supported**

- Bit 0: CPRM support If set to 1, the device supports CPRM Scheme (Content Protection for Recordable Media)  
If set to 0, the device does not support CPRM.
- Bits 1-15 are reserved for future additional Key Management schemes.

**Word 163: CF Advanced True IDE Timing Mode Capabilities and Settings**

This word describes the capabilities and current settings for CFA defined advanced timing modes using the True IDE interface.

**Notice:** The use of True IDE PIO Modes 5 and above or of Multiword DMA Modes 3 and above impose significant restrictions on the implementation of the host as indicated in section Additional Requirements for CF Advanced Timing Modes.

**Notice:** There are four separate fields defined that describe support and selection of Advanced PIO timing modes and Advanced Multiword DMA timing modes. The older modes are reported in words 63 and 64 as described in sections Word 63: Multiword DMA transfer and Word 64: Advanced PIO transfer modes supported

Bits 2-0: Advanced True IDE PIO Mode Support Indicates the maximum True IDE PIO mode supported by the card.

Value	Maximum PIO mode timing supported
0	Specified in word 64
1	PIO Mode 5
2	PIO Mode 6
3-7	Reserved

Bits 5-3: Advanced True IDE Multiword DMA Mode Support Indicates the maximum True IDE Multiword DMA mode supported by the card.

Value	Maximum Multiword DMA timing mode supported
0	Specified in word 63
1	Multiword DMA Mode 3
2	Multiword DMA Mode 4
3-7	Reserved

Bits 8-6: Advanced True IDE PIO Mode Selected Indicates the current True IDE PIO mode selected on the card.

Value	Current PIO timing mode selected
0	Specified in word 64
1	PIO Mode 5
2	PIO Mode 6
3-7	Reserved

Bits 11-9: Advanced True IDE Multiword DMA Mode Selected Indicates the current True IDE Multiword DMA Mode Selected on the card.

Value	Current Multiword DMA timing mode selected
0	Specified in word 63
1	Multiword DMA Mode 3
2	Multiword DMA Mode 4
3-7	Reserved

Bits 15-12 are reserved.

#### Word 164: CF Advanced PCMCIA I/O and Memory Timing Modes Capabilities and Settings

This word describes the capabilities and current settings for CFA defined advanced timing modes using the Memory and PCMCIA I/O interface.

**Notice:** The use of PCMCIA I/O or Memory modes that are 100ns or faster impose significant restrictions on the implementation of the host as indicated in section 4.3.7: Additional Requirements for CF Advanced Timing Modes.

Bits 2-0: Maximum Advanced PCMCIA I/O Mode Support Indicates the maximum I/O timing mode supported by the card.

Value	Maximum PCMCIA IO timing mode supported
0	255 ns Cycle PCMCIA I/O Mode
1	120 ns Cycle PCMCIA I/O Mode
2	100 ns Cycle PCMCIA I/O Mode
3	80 ns Cycle PCMCIA I/O Mode
4-7	Reserved

Bits 5-3: Maximum Memory timing mode supported Indicates the Maximum Memory timing mode supported by the card.

Value	Maximum Memory timing mode Supported
0	250 ns Cycle Memory Mode
1	120 ns Cycle Memory Mode
2	100 ns Cycle Memory Mode
3	80 ns Cycle Memory Mode
4-7	Reserved

Bits 15-6: Reserved

#### (4) Idle - 97h or E3h

Bit ->	7	6	5	4	3	2	1	0
Command (7)	97h or E3h							
C/D/H (6)		X		Drive			X	
Cyl High (5)					X			
Cyl Low (4)					X			
Sec Num (3)					X			
Sec Cnt (2)	Timer Count (5 msec increments)							
Feature (1)					X			

#### Idle

This command causes the device to set BSY, enter the Idle mode, clear BSY and generate an interrupt. If the sector count is non-zero, it is interpreted as a timer count with each count being 5 milliseconds and the automatic power down mode is enabled. If the sector count is zero, the automatic power down mode is disabled. Note that this time base (5 msec) is different from the ATA specification.

#### (5) Idle Immediate - 95h or E1h

Bit ->	7	6	5	4	3	2	1	0
Command (7)	95h or E1h							
C/D/H (6)		X		Drive			X	
Cyl High (5)					X			
Cyl Low (4)					X			
Sec Num (3)					X			
Sec Cnt (2)					X			
Feature (1)					X			

#### Idle Immediate

This command causes the device to set BSY, enter the Idle mode, clear BSY and generate an interrupt.

#### (6) Initialize Drive Parameters - 91h

Bit ->	7	6	5	4	3	2	1	0
Command (7)	91h							
C/D/H (6)	X	0	X	Drive		Max Head (no. of heads-1)		
Cyl High (5)					X			
Cyl Low (4)					X			
Sec Num (3)					X			
Sec Cnt (2)	Number of Sectors							
Feature (1)					X			

#### Initialize Drive Parameters

This command enables the host to set the number of sectors per track and the number of heads per cylinder. Only the Sector Count and the Card/Drive/Head registers are used by this command.

**(7) Read DMA – C8h**

Bit ->	7	6	5	4	3	2	1	0
Command (7)	C8h							
C/D/H (6)	1	LBA	1	Drive	Head (LBA 27-24)			
Cyl High (5)	Cylinder High (LBA 23-16)							
Cyl Low (4)	Cylinder Low (LBA 15-8)							
Sec Num (3)	Sector Number (LBA 7-0)							
Sec Cnt (2)	Sector Count							
Feature (1)	X							

**Read DMA**

This command uses DMA mode to read from 1 to 256 sectors as specified in the Sector Count register. A sector count of 0 requests 256 sectors. The transfer begins at the sector specified in the Sector Number Register. When this command is issued the device sets BSY, puts all or part of the sector of data in the buffer. The Card is then permitted, although not required, to set DRQ, clear BSY. The Card asserts DMAREQ while data is available to be transferred. The Card asserts DMAREQ while data is available to be transferred. The host then reads the (512 \* sector-count) bytes of data from the Card using DMA. While DMAREQ is asserted by the Card, the Host asserts -DMACK while it is ready to transfer data by DMA and asserts -IORD once for each 16 bit word to be transferred to the Host.

Interrupts are not generated on every sector, but upon completion of the transfer of the entire number of sectors to be transferred or upon the occurrence of an unrecoverable error.

At command completion, the Command Block Registers contain the cylinder, head and sector number of the last sector read. If an error occurs, the read terminates at the sector where the error occurred. The Command Block Registers contain the cylinder, head, and sector number of the sector where the error occurred. The amount of data transferred is indeterminate.

When a Read DMA command is received by the Card and 8 bit transfer mode has been enabled by the Set Features command, the Card shall return the Aborted error.

**(8) Read Multiple - C4h**

Bit ->	7	6	5	4	3	2	1	0
Command (7)	C4h							
C/D/H (6)	1	LBA	1	Drive	Head (LBA 27-24)			
Cyl High (5)	Cylinder High (LBA 23-16)							
Cyl Low (4)	Cylinder Low (LBA 15-8)							
Sec Num (3)	Sector Number (LBA 7-0)							
Sec Cnt (2)	Sector Count							
Feature (1)	X							

**Read Multiple**

※Note: This specification requires that devices support a multiple block count of 1 and permits larger values to be supported.

The Read Multiple command performs similarly to the Read Sectors command. Interrupts are not generated on every sector, but on the transfer of a block, which contains the number of sectors defined by a Set Multiple command. Command execution is identical to the Read Sectors operation except that the number of sectors defined by a Set Multiple command is transferred without intervening interrupts. DRQ qualification of the transfer is required only at the start of the data block, not on each sector.

The block count of sectors to be transferred without intervening interrupts is programmed by the Set Multiple Mode command, which shall be executed prior to the Read Multiple command. When the Read Multiple command is issued, the Sector Count Register contains the number of sectors (not the number of blocks or the block count) requested. If the number of requested sectors is not evenly divisible by the block count, as many full blocks as possible are transferred, followed by a final, partial block transfer. The partial block transfer is for  $n$  sectors, where  $n = (\text{sector count}) \bmod (\text{block count})$ .

If the Read Multiple command is attempted before the Set Multiple Mode command has been executed or when Read Multiple commands are disabled, the Read Multiple operation is rejected with an Aborted Command error. Disk errors encountered during Read Multiple commands are posted at the beginning of the block or partial block transfer, but DRQ is still set and the data transfer shall take place as it normally would, including transfer of corrupted data, if any. Interrupts are generated when DRQ is set at the beginning of each block or partial block. The error reporting is the

same as that on a Read Sector(s) Command. This command reads from 1 to 256 sectors as specified in the Sector Count register. A sector count of 0 requests 256 sectors. The transfer begins at the sector specified in the Sector Number Register.

At command completion, the Command Block Registers contain the cylinder, head and sector number of the last sector read.

If an error occurs, the read terminates at the sector where the error occurred. The Command Block Registers contain the cylinder, head and sector number of the sector where the error occurred. The flawed data is pending in the sector buffer.

Subsequent blocks or partial blocks are transferred only if the error was a correctable data error. All other errors cause the command to stop after transfer of the block that contained the error.

#### (9) Read Sector(s) - 20h or 21h

Bit ->	7	6	5	4	3	2	1	0
Command (7)	20h or 21h							
C/D/H (6)	1	LBA	1	Drive	Head (LBA 27-24)			
Cyl High (5)	Cylinder High (LBA 23-16)							
Cyl Low (4)	Cylinder Low (LBA 15-8)							
Sec Num (3)	Sector Number (LBA 7-0)							
Sec Cnt (2)	Sector Count							
Feature (1)	X							

#### Read Sector(s)

This command reads from 1 to 256 sectors as specified in the Sector Count register. A sector count of 0 requests 256 sectors. The transfer begins at the sector specified in the Sector Number Register. When this command is issued and after each sector of data (except the last one) has been read by the host, the Compact Flash Storage Card sets BSY, puts the sector of data in the buffer, sets DRQ, clears BSY, and generates an interrupt. The host then reads the 512 bytes of data from the buffer.

At command completion, the Command Block Registers contain the cylinder, head and sector number of the last sector read. If an error occurs, the read terminates at the sector where the error occurred. The Command Block Registers contain the cylinder, head, and sector number of the sector where the error occurred. The flawed data is pending in the sector buffer.

#### (10) Read Verify Sector(s) - 40h or 41h

Bit ->	7	6	5	4	3	2	1	0
Command (7)	40h or 41h							
C/D/H (6)	1	LBA	1	Drive	Head (LBA 27-24)			
Cyl High (5)	Cylinder High (LBA 23-16)							
Cyl Low (4)	Cylinder Low (LBA 15-8)							
Sec Num (3)	Sector Number (LBA 7-0)							
Sec Cnt (2)	Sector Count							
Feature (1)	X							

#### Read Verify Sector(s)

This command is identical to the Read Sectors command, except that DRQ is never set and no data is transferred to the host. When the command is accepted, the device sets BSY.

When the requested sectors have been verified, the device clears BSY and generates an interrupt. Upon command completion, the Command Block Registers contain the cylinder, head, and sector number of the last sector verified.

If an error occurs, the Read Verify Command terminates at the sector where the error occurs. The Command Block Registers contain the cylinder, head and sector number of the sector where the error occurred. The Sector Count Register contains the number of sectors not yet verified.

## (11) Recalibrate - 1Xh

Bit ->	7	6	5	4	3	2	1	0
Command (7)	1Xh							
C/D/H (6)	1	LBA	1	Drive	X			
Cyl High (5)					X			
Cyl Low (4)					X			
Sec Num (3)					X			
Sec Cnt (2)					X			
Feature (1)					X			

**Recalibrate**

This command is effectively a NOP command to the device and is provided for compatibility purposes.

## (12) Seek - 7Xh

Bit ->	7	6	5	4	3	2	1	0
Command (7)	7Xh							
C/D/H (6)	1	LBA	1	Drive	Head (LBA 27-24)			
Cyl High (5)					Cylinder High (LBA 23-16)			
Cyl Low (4)					Cylinder Low (LBA 15-8)			
Sec Num (3)					X (LBA 7-0)			
Sec Cnt (2)					X			
Feature (1)					X			

**Seek**

This command is effectively a NOP command to the device although it does perform a range check of cylinder and head or LBA address and returns an error if the address is out of range.

## (13) Set Features – EFh

Bit ->	7	6	5	4	3	2	1	0
Command (7)	EFh							
C/D/H (6)	X			Drive	X			
Cyl High (5)					X			
Cyl Low (4)					X			
Sec Num (3)					X			
Sec Cnt (2)					Config			
Feature (1)					Feature			

**Set Features**

This command is used by the host to establish or select certain features. If any subcommand input value is not supported or is invalid, the Compact Flash Storage Card shall return command aborted. Table 7: Feature Supported defines all features that are supported.

**Table 7: Feature Supported**

Feature	Operation
01h	Enable 8 bit data transfers.
02h	Enable Write Cache.
03h	Set transfer mode based on value in Sector Count register.
05h	Enable Advanced Power Management.
09h	Enable Extended Power operations. ( <b>Alert:</b> <i>It has been proposed to remove this feature from a future revision of the specification. Please notify the CFA if you have a requirement for this feature.</i> )
0Ah	Enable Power Level 1 commands.
44h	Product specific ECC bytes apply on Read/Write Long commands.
55h	Disable Read Look Ahead.
66h	Disable Power on Reset (POR) establishment of defaults at Soft Reset.
69h	NOP - Accepted for backward compatibility.
81h	Disable 8 bit data transfer.
82h	Disable Write Cache.
85h	Disable Advanced Power Management.
89h	Disable Extended Power operations. ( <b>Alert:</b> <i>It has been proposed to remove this feature from a future revision of the specification. Please notify the CFA if you have a requirement for this feature.</i> )

Feature	Operation
8Ah	Disable Power Level 1 commands.
96h	NOP - Accepted for backward compatibility.
97h	Accepted for backward compatibility. Use of this Feature is not recommended.
9Ah	Set the host current source capability. Allows tradeoff between current drawn and read/write speed.
AAh	Enable Read Look Ahead.
BBh	4 bytes of data apply on Read/Write Long commands.
CCh	Enable Power on Reset (POR) establishment of defaults at Soft Reset.

Features 01h and 81h are used to enable and clear 8 bit data transfer modes in True IDE Mode. If the 01h feature command is issued all data transfers shall occur on the low order D[7:0] data bus and the -IOIS16 signal shall not be asserted for data register accesses. The host shall not enable this feature for DMA transfers.

Features 02h and 82h allow the host to enable or disable write cache in devices that implement write cache. When the subcommand disable write cache is issued, the device shall initiate the sequence to flush cache to non-volatile memory before command completion.

Feature 03h allows the host to select the PIO or Multiword DMA transfer mode by specifying a value in the Sector Count register. The upper 5 bits define the type of transfer and the low order 3 bits encode the mode value. One PIO mode shall be selected at all times. For Cards which support DMA, one Multiword DMA mode shall be selected at all times. The host may change the selected modes by the Set Features command.

**Table 8: Transfer mode values**

Mode	Bits (7:3)	Bits (2:0)
PIO default mode	00000b	000b
PIO default mode, disable IORDY	00000b	001b
PIO flow control transfer mode	00001b	Mode
Reserved	00010b	N/A
Multiword DMA mode	00100b	Mode
Ultra DMA Mode	01000b	Mode
Reserved	10000b	N/A

Mode = transfer mode number

If a device supports PIO modes greater than 0 and receives a Set Features command with a Set Transfer Mode parameter and a Sector Count register value of "00000000b", it shall set its default PIO mode. If the value is "00000001b" and the device supports disabling of IORDY, then the device shall set its default PIO mode and disable IORDY. A device shall support all PIO modes below the highest mode supported, e.g., if PIO mode 1 is supported PIO mode 0 shall be supported.

Support of IORDY is mandatory when PIO mode 3 or above is the current mode of operation.

A device reporting support for Multiword DMA modes shall support all Multiword DMA modes below the highest mode supported. For example, if Multiword DMA mode 2 support is reported, then modes 1 and 0 shall also be supported.

A device reporting support for Ultra DMA modes shall support all Ultra DMA modes below the highest mode supported. For example, if Ultra DMA mode 2 support is reported then modes 1 and 0 shall also be supported.

If an Ultra DMA mode is enabled any previously enabled Multiword DMA mode shall be disabled by the device. If a Multiword DMA mode is enabled any previously enabled Ultra DMA mode shall be disabled by the device. Feature 05h allows the host to enable Advanced Power Management. To enable Advanced Power Management, the host writes the Sector Count register with the desired advanced power management level and then executes a Set Features command with subcommand code 05h. The power management level is a scale from the lowest power consumption setting of 01h to the maximum performance level of FEh.

Table9: An advanced power management level shows these values.

**Table 9: Advanced power management levels**

Level	Sector Count Value
Maximum performance	FEh
Intermediate power management levels without Standby	81h-FDh
Minimum power consumption without Standby	80h
Intermediate power management levels with Standby	02h-7Fh
Minimum power consumption with Standby	01h
Reserved	FFh
Reserved	00h

Device performance may increase with increasing power management levels. Device power consumption may increase with increasing power management levels. The power management levels may contain discrete bands. For example, a device may implement one power management method from 80h to A0h and a higher performance, higher power consumption method from level A1h to FEh. Advanced power management levels 80h and higher do not permit the device to spin down to save power.

Feature 85h disables Advanced Power Management. Subcommand 85h may not be implemented on all devices that implement Set Features subcommand 05h.

Features 0Ah and 8Ah are used to enable and disable Power Level 1 commands. Feature 0Ah is the default feature for the device with extended power.

Features 55h and BBh are the default features for the device; thus, the host does not have to issue this command with these features unless it is necessary for compatibility reasons.

Feature code 9Ah enables the host to configure the card to best meet the host system's power requirements. The host sets a value in the Sector Count register that is equal to one-fourth of the desired maximum average current (in mA) that the card should consume. For example, if the Sector Count register were set to 6, the card would be configured to provide the best possible performance without exceeding 24 mA. Upon completion of the command, the card responds to the host with the range of values supported by the card. The minimum value is set in the Cylinder Low register, and the maximum value is set in the Cylinder Hi register. The default value, after a power on reset, is to operate at the highest performance and therefore the highest current mode. The card shall accept values outside this programmable range, but shall operate at either the lowest power or highest performance as appropriate.

Features 66h and CCh can be used to enable and disable whether the Power On Reset (POR) Defaults shall be set when a soft reset occurs. The default setting is to revert to the POR defaults when a soft reset occurs.

#### (14) Set Multiple Mode - C6h

Bit ->	7	6	5	4	3	2	1	0
<b>Command (7)</b>	C6h							
<b>C/D/H (6)</b>		X		Drive			X	
<b>Cyl High (5)</b>					X			
<b>Cyl Low (4)</b>				X				
<b>Sec Num (3)</b>				X				
<b>Sec Cnt (2)</b>	Sector Count							
<b>Feature (1)</b>	X							

#### Set Multiple Mode

This command enables the device to perform Read and Write Multiple operations and establishes the block count for these commands. The Sector Count Register is loaded with the number of sectors per block. Upon receipt of the command, the device sets BSY to 1 and checks the Sector Count Register.

If the Sector Count Register contains a valid value and the block count is supported, the value is loaded and execution is enabled for all subsequent Read Multiple and Write Multiple commands.

If the block count is not supported, an Aborted Command error is posted and the Read Multiple and Write Multiple commands are disabled. If the Sector Count Register contains 0 when the command is issued, Read and Write

Multiple commands are disabled. At power on, or after a hardware or (unless disabled by a Set Feature command) software reset, the default mode is Read and Write Multiple disabled.

#### (15) Set Sleep Mode- 99h or E6h

Bit ->	7	6	5	4	3	2	1	0
Command (7)	99h or E6h							
C/D/H (6)	X		Drive		X			
Cyl High (5)					X			
Cyl Low (4)					X			
Sec Num (3)					X			
Sec Cnt (2)					X			
Feature (1)					X			

#### Set Sleep Mode

This command causes the CompactFlash Storage Card to set BSY, enter the Sleep mode, clear BSY and generate an interrupt. Recovery from sleep mode is accomplished by simply issuing another command (a reset is permitted but not required). Sleep mode is also entered when internal timers expire so the host does not need to issue this command except when it wishes to enter Sleep mode immediately. The default value for the timer is 5 milliseconds. Note that this time base (5 msec) is different from the ATA Specification.

#### (16) Standby - 96h or E2h

Bit ->	7	6	5	4	3	2	1	0
Command (7)	96h or E2h							
C/D/H (6)	X		Drive		X			
Cyl High (5)					X			
Cyl Low (4)					X			
Sec Num (3)					X			
Sec Cnt (2)					X			
Feature (1)					X			

#### Standby

This command causes the device to set BSY, enter the Sleep mode (which corresponds to the ATA "Standby" Mode), clear BSY and return the interrupt immediately. Recovery from sleep mode is accomplished by simply issuing another command (a reset is not required).

#### (17) Standby Immediate - 94h or E0h

Bit ->	7	6	5	4	3	2	1	0
Command (7)	94h or E0h							
C/D/H (6)	X		Drive		X			
Cyl High (5)					X			
Cyl Low (4)					X			
Sec Num (3)					X			
Sec Cnt (2)					X			
Feature (1)					X			

#### Standby Immediate

This command causes the device to set BSY, enter the Sleep mode (which corresponds to the ATA "Standby" Mode), clear BSY and return the interrupt immediately. Recovery from sleep mode is accomplished by simply issuing another command (a reset is not required).

#### (18) Write DMA – CAh

Bit ->	7	6	5	4	3	2	1	0
Command (7)	CAh							
C/D/H (6)	1	LBA	1	Drive	Head (LBA 27-24)			
Cyl High (5)					Cylinder High (LBA 23-16)			
Cyl Low (4)					Cylinder Low (LBA 15-8)			
Sec Num (3)					Sector Number (LBA 7-0)			
Sec Cnt (2)					Sector Count			
Feature (1)					X			

#### Write DMA

## SATA DiskOnModule

This command uses DMA mode to write from 1 to 256 sectors as specified in the Sector Count register. A sector count of 0 requests 256 sectors. The transfer begins at the sector specified in the Sector Number Register. When this command is issued the device sets BSY, puts all or part of the sector of data in the buffer. The Card is then permitted, although not required, to set DRQ, clear BSY. The Card asserts DMAREQ while data is available to be transferred. The host then writes the (512 \* sector-count) bytes of data to the Card using DMA. While DMAREQ is asserted by the Card, the Host asserts -DMACK while it is ready to transfer data by DMA and asserts -IOWR once for each 16 bit word to be transferred from the Host.

Interrupts are not generated on every sector, but upon completion of the transfer of the entire number of sectors to be transferred or upon the occurrence of an unrecoverable error.

At command completion, the Command Block Registers contain the cylinder, head and sector number of the last sector read. If an error occurs, the read terminates at the sector where the error occurred. The Command Block Registers contain the cylinder, head, and sector number of the sector where the error occurred. The amount of data transferred is indeterminate.

When a Write DMA command is received by the Card and 8 bit transfer mode has been enabled by the Set Features command, the Card shall return the Aborted error.

### (19) Write Long Sector - 32h or 33h

Bit ->	7	6	5	4	3	2	1	0
Command (7)	CAh							
C/D/H (6)	1	LBA	1	Drive	Head (LBA 27-24)			
Cyl High (5)	Cylinder High (LBA 23-16)							
Cyl Low (4)	Cylinder Low (LBA 15-8)							
Sec Num (3)	Sector Number (LBA 7-0)							
Sec Cnt (2)	Sector Count							
Feature (1)	X							

#### Write Long Sector

This command is similar to the Write Sector(s) command except that it writes 516 bytes instead of 512 bytes. Only single sector Write Long operations are supported. The transfer consists of 512 bytes of data transferred in word mode followed by 4 bytes of ECC transferred in byte mode. Because of the unique nature of the solid-state CompactFlash Storage Card, the four bytes of ECC transferred by the host may be used by the CompactFlash Storage Card. The CompactFlash Storage Card may discard these four bytes and write the sector with valid ECC data. This command has the same protocol as the Write Sector(s) command. Use of this command is not recommended.

### (20) Write Sector(s) - 30h or 31h

Bit ->	7	6	5	4	3	2	1	0
Command (7)	30h or 31h							
C/D/H (6)	1	LBA	1	Drive	Head (LBA 27-24)			
Cyl High (5)	Cylinder High (LBA 23-16)							
Cyl Low (4)	Cylinder Low (LBA 15-8)							
Sec Num (3)	Sector Number (LBA 7-0)							
Sec Cnt (2)	Sector Count							
Feature (1)	X							

#### Write Sector(s)

This command writes from 1 to 256 sectors as specified in the Sector Count Register. A sector count of zero requests 256 sectors. The transfer begins at the sector specified in the Sector Number Register. When this command is accepted, the device sets BSY, then sets DRQ and clears BSY, then waits for the host to fill the sector buffer with the data to be written. No interrupt is generated to start the first host transfer operation. No data should be transferred by the host until BSY has been cleared by the host.

For multiple sectors, after the first sector of data is in the buffer, BSY shall be set and DRQ shall be cleared. After the next buffer is ready for data, BSY is cleared, DRQ is set and an interrupt is generated. When the final sector of data is transferred, BSY is set and DRQ is cleared. It shall remain in this state until the command is completed at which time BSY is cleared and an interrupt is generated.

If an error occurs during a write of more than one sector, writing terminates at the sector where the error occurs. The

Command Block Registers contain the cylinder, head and sector number of the sector where the error occurred. The host may then read the command block to determine what error has occurred, and on which sector.

### 3.4 Firmware Upgrade

The Firmware of SATA DiskOnModule can not be upgraded by customers, so please contact your nearest CSS Office.

### 3.5 Switch Setting (Option)

The SATA DOM has a write-protection variant model indicated by a “Lock / Unlock” switch. When the switch is placed in the “Unlock” position, data can be read or written to the card. If the switch is placed in the “Lock” position, data can be read only and can not be written to.

To prevent undesired operation(s), we recommend users to place the switch in the correct setting before inserting it into the system. In cases where the write-protection switch is enabled (Lock), system writing to the card may result in unexpected behavior(s). The unexpected behavior(s) will vary depending on operating systems and/or platforms.

We strongly recommend the strict use of the card for read only boot device. Using it as a general boot device may result in error write activities during the boot cycle.

**Notice:** Please contact CSS local representatives for more information.

## 4. Installation

### 4.1 Installation

**For Installation of SATA DiskOnModule to your system, please follow up below steps;**

1. Make sure your computer is turned off before you open the case.
2. Plug the SATA DiskOnModule carefully into the Serial ATA slot on your computer or host adapter.
3. Plug the SATA DiskOnModule into Serial ATA Power Cable with 5V
4. Check cable connections and SATA DiskOnModule is firm enough.

### 4.2 Partition

**For DOS Operating System :**

- To partition your new SATA DiskOnModule for example use Microsoft DOS program:

1. Insert a bootable DOS diskette into your diskette drive and restart your computer.
2. Insert a DOS program diskette that contains the **FDISK.EXE** and **FORMAT.COM** programs into your diskette drive. Use the same DOS version that is on your bootable diskette. At the A: prompt, type **FDISK** and press **ENTER**.
3. Select "Create DOS partition or logical DOS drive" by pressing **1**. Then press **ENTER**.
4. Select "**Create primary DOS partition**" by pressing **1** again. Then press **ENTER**. Create your first drive partition. If you are creating a partition that will be used to boot your computer (drive C), make sure that the partition is marked active.
5. Create an extended partition and additional logical drives as necessary, until all the space on your new hard drive has been partitioned.
6. When the partitioning is complete, **FDISK** reboots your computer.

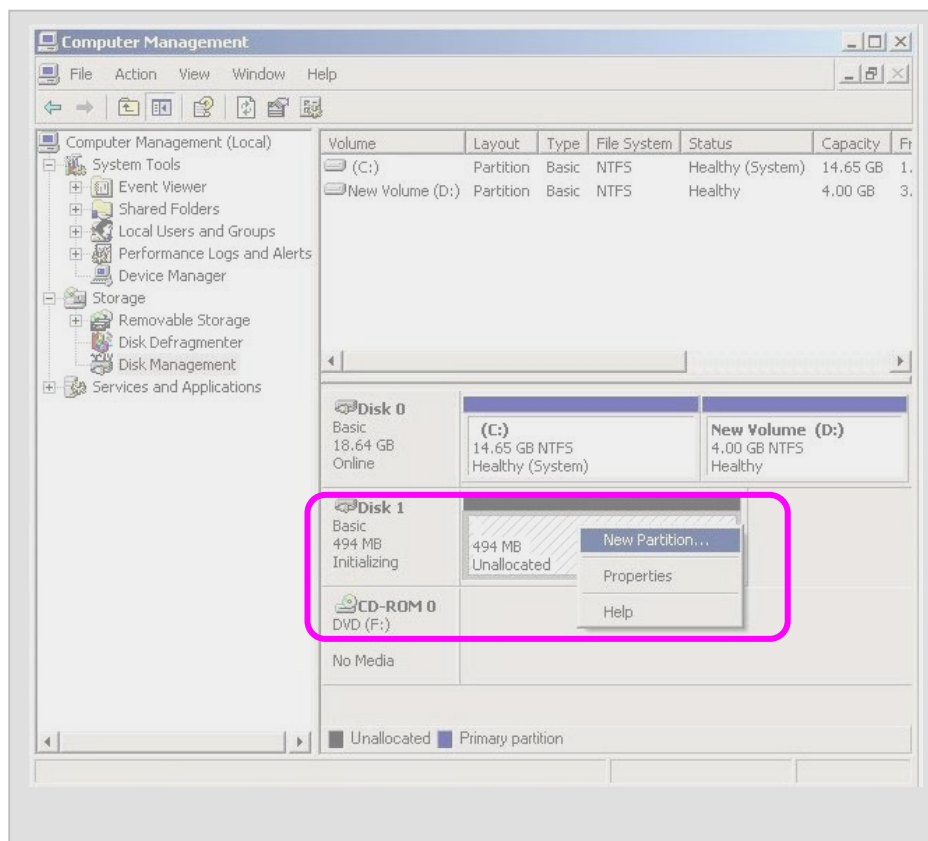
**Notice:** Make sure to use the correct drive letters so that you do not format a drive that already contains data.

7. At the A: prompt, type **format c:/s**, where c is the letter of your first new partition, Repeat the format process for all the new partitions you have created.
8. After you format your SATA DiskOnModule, it is ready to use.

**For Windows Operating System :**

- To partition your new SATA DiskOnModule, for example use Microsoft WindowsXP and WindowsXP embedded system :

1. In your windows system. You can Click the 『 Start 』 → 『 Control Panel 』 → 『 Administrative Tools 』 → 『 Computer Management 』 then select 『 Storage 』 → 『 Disk Manager 』 to setup the partition.



### 4.3 Format

#### For DOS Operating System :

- Before you format or partition your new SATA DiskOnModule, you must configure your computer's BIOS so that the computer can recognize your new SATA DiskOnModule.
  1. Turn your computer on. As your computer start up, watch the screen for a message describing how to run the system setup program (sometimes called BIOS or CMOS setup). This is usually done by pressing a special key, such as DELETE, ESC, or F1, during startup. See your computer manual for details. Press the appropriate key to run the system setup program.
  2. If your BIOS provides automatic drive detection (an "AUTO" drive type), select this option. (If you use Normal/CHS mode to partition your DOM, you can get the maximum formatted capacity.) This allows your computer to configure itself automatically for your new SATA DiskOnModule. If your BIOS does not provide automatic drive detection, select "User-defined" drive setting and enter the CHS values from the table.

#### BIOS Settings (see specification)

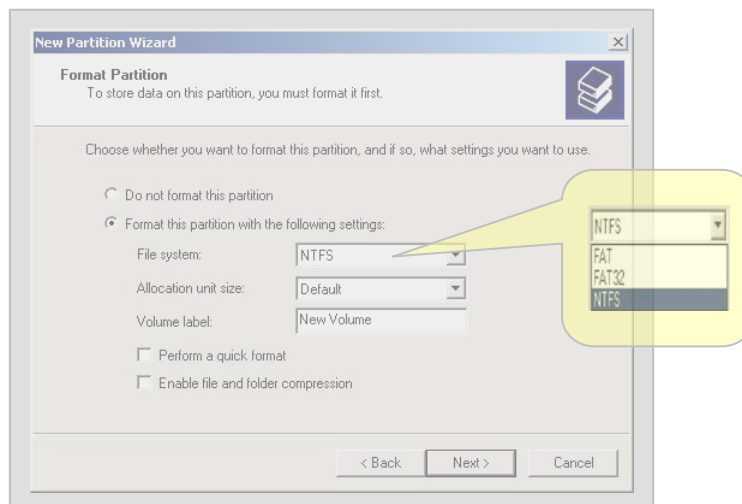
**Capacity      Cylinders      Heads      Sectors      (unformatted)**

3. Save the settings and exit the System Setup program.  
(Your computer will be automatically rebooted.)

## For Windows Operating System :

- To partition your new DOM, for example use Microsoft WindowsXP and WindowsXP embedded system :

1. Click the 『 Start 』 → 『 Control Panel 』 → 『 Administrative Tools 』 → 『 Computer Management 』 then select 『 Storage 』 → 『 Disk Manager 』 to setup the file format.
2. Select “FAT or NTFS” format for user.



## 5. Troubleshooting

### 5.1 BIOS can not identify SATA DiskOnModule

- 5.1.1 Check Power Cable Status
- 5.1.2 Check Connector status
- 5.1.3 Check the Power Voltage (only 5V)

### 5.2 SATA DOM can not boot the system

- 5.2.1 Check BIOS setting
- 5.2.2 Reinstall your system

**Notice:** Please contact your closest CSS office for verifying your other troubles.

## 6. Ordering Information

DV82(01): Left-hand side Turbo II Vertical SATA DiskOnModule.

**Table 10: Vertical SATA DiskOnModule Ordering Information**

P/N	Capacity	Note
<b>Left hand side</b>		
DV0010G <sup>*1</sup> 82RN <sup>*2</sup> 01 <sup>*3</sup>	1GB	
DV0020G82RP01	2GB	
DV0040G82RS01	4GB	
DV0010G82RL01	1GB	Dual Mode
DV0020G82RN01	2GB	Dual Mode
DV0040G82RP01	4GB	Dual Mode
DV0080G82RS01	8GB	Dual mode
DV0160G82RU01	(Max) 16GB	Dual mode

\*1 : Capacity

010G: 1GB, 020G: 2GB, 040G: 4GB, 080G: 8GB, 160G: 16GB

\*2 : Flash Density

L: 512MB, N: 1GB, P: 2GB, S: 4GB, U: 8GB

\*3 : Connector Direction

1: Left hand side

## 7. Contact Information

CoreSolid Storage Corporation, a TDK-PQI storage business company, specializes in the design and marketing of SSD, DOM, and Industry CF products.

For further information, please reach us at the following contact information:

For further information, please reach us at the following contact information:

### Global

- Tel: +886-2-66206168
- Sales: [sales@coresolid-storage.com](mailto:sales@coresolid-storage.com)
- Customer Service: [support@coresolid-storage.com](mailto:support@coresolid-storage.com)

### US specific

- Tel: +1-408-7257180
- Sales: [sales@coresolid-storage.com](mailto:sales@coresolid-storage.com)
- Customer Service: [support.us@coresolid-storage.com](mailto:support.us@coresolid-storage.com)

### China specific

- Tel: +86-10-82701610
- Sales: [sales@coresolid-storage.com](mailto:sales@coresolid-storage.com)
- Customer Service: [support.cn@coresolid-storage.com](mailto:support.cn@coresolid-storage.com)

### Europe specific

- Tel: +886-2-66206168
- Sales: [sales@coresolid-storage.com](mailto:sales@coresolid-storage.com)
- Customer Service: [support.eu@coresolid-storage.com](mailto:support.eu@coresolid-storage.com)

### Japan specific

- Tel: +81-47-3789423
- Sales: [sales@coresolid-storage.com](mailto:sales@coresolid-storage.com)
- Customer Service: [support.jp@coresolid-storage.com](mailto:support.jp@coresolid-storage.com)