



## Features

- 17" SXGA TFT LCD Display
- Shatterproof Touch Screen
- Programmable Entertainment Selector
- 10/100 Mbps Ethernet, Optional Gigabit Ethernet
- VESA Mount (75 mm)
- 4 USB Expansion Ports, Mini PCI
- Fanless Operation
- Anti-Bacteria Plastic Housing

Fanless Touch Screen Selector VESA Mini PCI

## Optional Features

- Smart Card Reader (SCR)
- IP Telephone
- Bluetooth
- Analog TV Tuner
- Magnetic Stripe Reader (MSR)
- Wireless LAN
- CMOS 1.3M Web Camera
- Deskstands

SCR VoIP Blue tooth MSR TV Tuner Web Camera

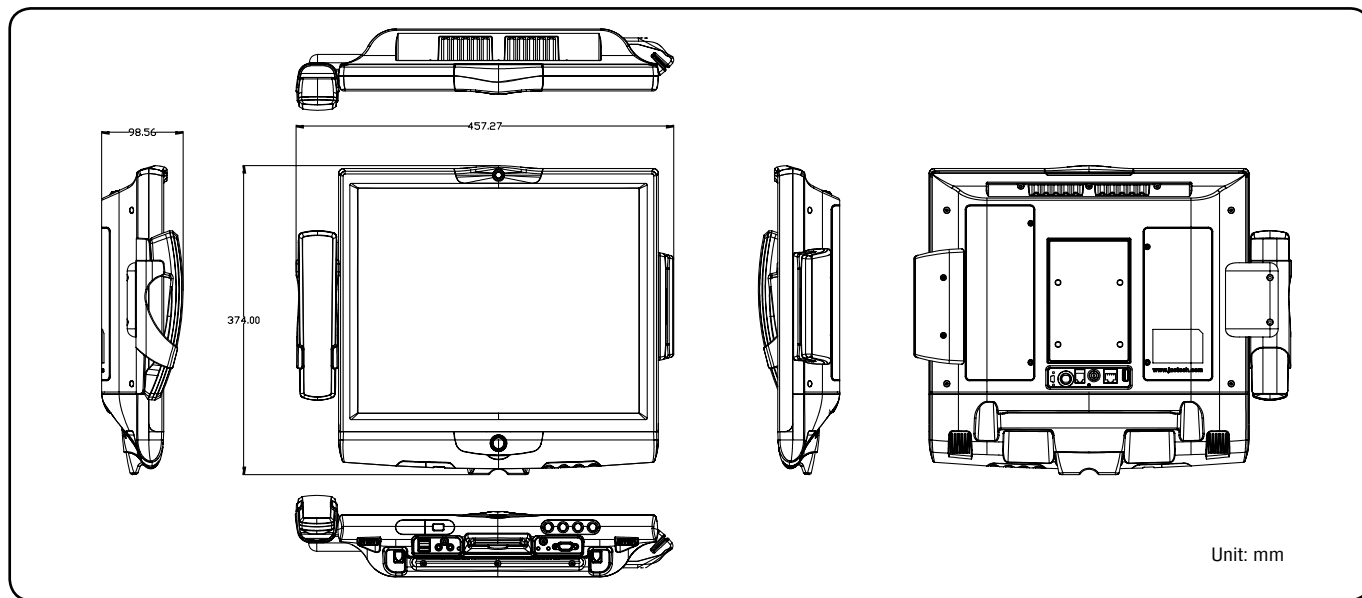
## Computer Platform

• CPU	Onboard Intel® µFC-BGA 479 Celeron® M 600 MHz or 1 GHz with 512K Cache CPU
• Northbridge	Intel® RG852GM Graphics & Memory Controller Hub (GMCH)
• Southbridge	Intel® FW82801DB I/O Controller Hub 4 (ICH4)
• I/O Companion	Winbond W83627 HG-AW
• System Memory	1 x 184-pin DIMM up to 1 GB DDR SDRAM
• Video	Supports Intel® DVM 2.0
• Video Memory	64 MB shared memory
• Audio	VIA VT1616
• USB	4 External USB Ports: 1 USB & 1 Mini USB on the rear; 2 USB on the bottom
• GPIO	9 x I/O
• Thermal Protection	Internal sensor generates interrupt
• Watchdog Timer	Can generate system reset from 1 sec. to 255 min. and 1 sec. or 1 min./step.
• LAN	Realtek RTL8100C
• Gigabit LAN	Optional Realtek RTL8110SB Gigabit LAN
• Expansion	2 Mini-PCI (including one optional)

## Display Screen

• Type	17" SXGA TFT (1280 x 1024 resolution), 5-wire Resistive
• Color Depth	Dual-channel 24-bit
• Brightness	300-nit minimum brightness
• Brightness Control	20% to 100% user controllable
• Touch Screen	Resistive
• Touch Controller	Internal USB interface for 5-wire resistive touch panel

## Diagram



### Peripheral and Device Interface

• <b>Headphone Socket</b>	One 3.5 mm phone jack on left side of bottom access (View from the front side)
• <b>Phone Handset</b>	One RJ-11 socket on left side of terminal
• <b>Smart Card Reader</b>	Optional integrated in display module
• <b>IrDA Receiver/Transceiver</b>	Optional one IrDA 1.2 Receiver/Transceiver sensor integrated in front bezel
• <b>Video Camera</b>	Optional USB 2.0 1.3 M pixels CMOS sensor PC camera intergraded on the top side of display module
• <b>User Controls</b>	Control buttons integrated on front & bottom of Panel
• <b>USB Ports</b>	4 x USB 2.0 ports for external peripherals

### Visual Call Indication

• <b>Reset Switch Recess</b>	Internal push button in connector recess
• <b>Power Switch</b>	Power-on only button on front keypad and one internal push button in connector recess
• <b>Display Inverter</b>	Power enable and separate brightness control

### Audio Sub System

• <b>Amplifier</b>	0.3 W RMS headphone output per channel (minimum) Software headphone mute Software handset mute Independent control of all audio channels via internal mixer
• <b>Phone Buzzer</b>	Incoming telephone call indication
• <b>External Speaker</b>	2 x 2 W 8 Ohm speaker intergraded in system housing

### Peripheral Devices

• <b>HDD</b>	40 GB 2.5" HDD
• <b>Power Supply Unit</b>	Power input: AC 90-264 V Power output: DC 19 V 4.71 A

### Mechanical

• <b>Mounting</b>	Rear fixture to articulated arm VESA mount 75 mm x 75 mm mounting hole pattern
• <b>Dimensions</b>	457.3 mm x 374 mm x 98.6 mm (Handset included)
• <b>Weight</b>	7 kgs / 15.43 lbs
• <b>Cooling</b>	Fanless design, rear heatsink with wipe clean design

### OS Support

• <b>OS Support</b>	Windows XP, XPe and Linux are supported
---------------------	---

## Ordering Information

- **MTP-1702-C10-A1R**  
17" Intel® Celeron® M 1 GHz with 512K Cache Multi-functional Touch Panel Computer with Speakers, 1.3 M CMOS Camera, Volp Phone, Smart Card Reader, 512 MB SDRAM, 40 GB HDD, 90W Power Supply
- **MTP-1702-C06-A1R**  
17" Intel® Celeron® M 600 MHz with 512K Cache Multi-functional Touch Panel Computer with Speakers, 1.3M CMOS Camera, Volp Phone, Smart Card Reader, 512 MB SDRAM, 40 GB HDD, 90W Power Supply
- **ACC-1510ST-01**  
MTP PPC Desktop VESA Stand T001 H= 33 cm Cool Gray 3C

1  
Embedded System

2  
LPC Series

3  
PPC Series

4  
FPC Series

5  
VTP Series

6  
MTP Series

7  
ETX/COM Express

8  
3.5" SBC

9  
EPIC

10  
Half-size

11  
5.25" SBC

12  
PC/104

13  
Peripherals

14  
Index