

PANEL2225-FL

22" TFT Super Slim & Fanless Panel Computer with Intel® Core™2 Duo Processor up to 2.53 GHz

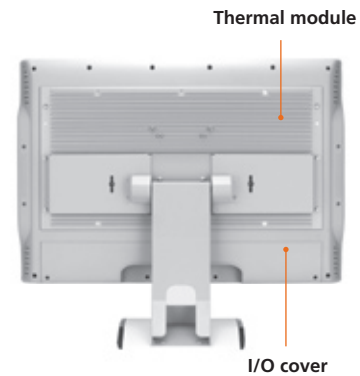
New



Features



- ▶ 22" high brightness (300 nits) WSXGA TFT LCD
- ▶ Socket P for Intel® Core™2 Duo/Celeron® M processor with FSB 667/800/1066 MHz
- ▶ NEMA 4/12 (IP65) - compliant front bezel
- ▶ Fanless and noiseless operation
- ▶ Built-in 1.3 mega pixels camera
- ▶ Optional wireless (802.11 b/g) antenna



Introduction

The PANEL2225-FL is an ultra slim panel computer equipped with 22-inch 300 nits high brightness WSXGA LCD display and supports superior Intel® Core™2 Duo/Celeron® M processor. Powered by Intel® GM/GL45 +ICH9M core logic chipset with maximum 256 MB sharing graphic memory, this panel computer has better graphic performance. The panel also supports Dual View and multiple I/O options including 2 USB 2.0, 3 RS-232 ports. The built-in 1.3 mega pixels camera and microphone/speakers can provide the compact solution for VoIP, remote monitoring. Furthermore, the PANEL2225-FL supports antenna for wireless (802.11 b/g) expansion. Besides, the dual Gigabit Ethernet ports

can provide the extremely high speed of Ethernet and high reliable redundancy host connection. The PANEL2225-FL is designed to work with low noise, low power consumption, high reliability and high performance applications. Besides, excellent ID (industrial design) and user friendly interface design make the PANEL2225-FL perfect with super slim, professional outlook, better user interface, and excellent protection at once! This safe, reliable & user-friendly panel computer can ensure customer's project success and best suited for PIO/POS/kiosk, media content display, and HMI solutions.

Specifications

Front Bezel	Plastic ABS	
LCD Panel	Display Type	22" WSXGA TFT
	Brightness (cd/m ²)	300 nits
	Resolution	1680 x 1050
	Viewing Angle (H/V)	178°/178°

Main System	CPU	Socket P for Intel® Core™2 Duo/Celeron® M processor with FSB 667/800/1066 MHz
	Chipset	Intel® GM/GL45+ICH9M
	System Memory	Supports 1 DDR3 SODIMM memory up to 8GB
	Storage	1 x 2.5" SATA HDD drive bay
	Optional Drive	Optional 1 compact 24X CD-ROM or 8X/24X combo drive

I/O Connectors	2 x RS-232 (COM 1/2) 1 x RS-232 (COM 3) (optional) 4 x USB 2.0 1 x Audio (Mic-in/Line-out) 1 x VGA 2 x 10/100/1000Mbps Ethernet 1 x 24V DC-in power connector
Camera	1 x 1.3 mega pixels camera
Touchscreen	Resistive type Light transmission: 80% Touch lifetime: 35 million touches
Power Supply	External 24V AC-DC adaptor
Dimensions	TBD
Weight (net/gross)	TBD
Environmental	Operation temperature: 0°C - 45°C (32°F -113°F) Relative humidity: 10% ~ 95%, non-condensing Shock: 10G peak acceleration (11 sec. duration)
Certification	CE

Optional Accessories

VM-101	VESA ARM (clamp type)
VM-105	VESA ARM (wall mount type)
Stand kit	



Slim design

Ordering Information

PANEL2225-FL-AC-CD	22" TFT high brightness panel computer with resistive T/S and slim CD-ROM
PANEL2225-FL-AC	22" TFT high brightness panel computer with resistive T/S (w/o CD-ROM)

Medical Panel Computers

Medical Grade Monitors

PANEL2000 Slim Client Panel Computers